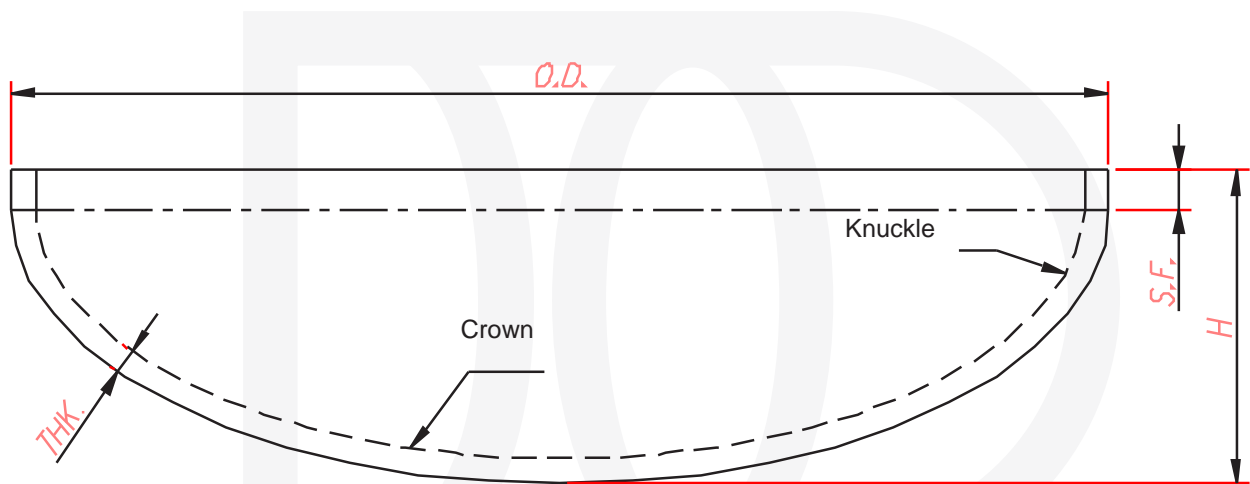


Caps & Vessel Heads

Pars Technic is a specialist manufacturer of standard caps and vessel heads, the sole company in Iran capable of manufacturing 2:1 Elliptical vessel heads up to 2000 mm diameter and 100 mm thickness by hot drawing process.

Our range of customers mostly includes Oil & Gas sector, vessel & heat exchanger manufacturers, and pipeline contractors.

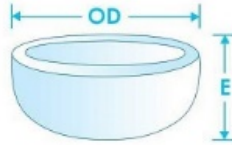


2:1 ELLIPTICAL CAP



**STANDARD CAPs / DISH & HEADs PRODUCTION RANGE
IN
PARS TECHNIC Co.**

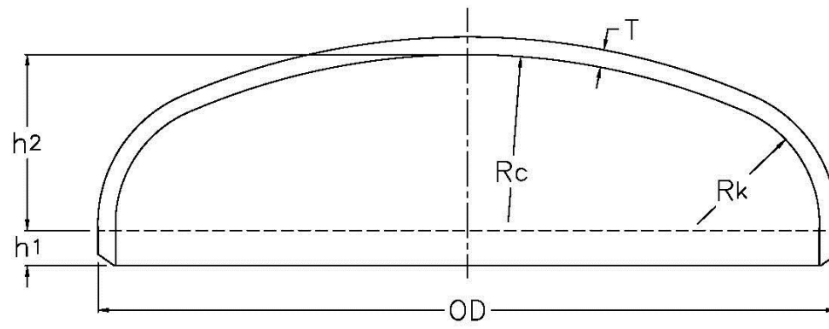
▼ CAP ANSI B 16.9 / MSS SP-75



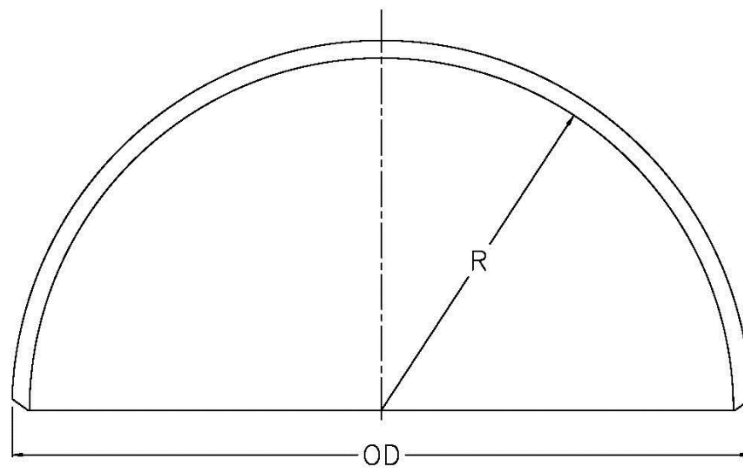
Nominal Pipe Size (In.)	Outside Diameter OD (mm)	Length E (mm)	Pipe Schedule Numbers
½	21	25	40 to 160
¾	27	25	40 to 160
1	33	38	40 to 160
1 ¼	42	38	40 to 160
1 ½	48	38	40 to 160
2	60	38	40 to 160
2 ½	73	38	40 to 160
3	89	51	40 to 160
3 ½	102	64	40 to 80
4	114	64	40 to 160
5	141	76	40 to 160
6	171	89	40 to 160
8	219	102	20 to 160
10	273	127	20 to 160
12	324	152	20 to 160
14	356	165	10 to 160
16	406	178	10 to 160
18	457	203	10 to 160
20	508	229	10 to 160
22	559	254	10 to 160
24	610	267	10 to 20
26	660	267	10 to 20
28	711	267	10 to 20
30	762	267	10 to 20
32	813	267	20 to 40
34	864	267	10 to 40
36	914	267	10 to 40
38	965	305	-----
40	1016	305	-----
42	1067	305	-----
44	1118	305	-----
48	1219	-----	-----
50	1270	-----	-----
52	1321	-----	-----
56	1422	-----	-----
58	1473	-----	-----
60	1524	-----	-----
72	1829	-----	-----
76	1930	-----	-----
78	1981	-----	-----

The shapes of caps are ellipsoidal and conform to the shape requirements as given in the ASME Boiler and Pressure Vessel code.

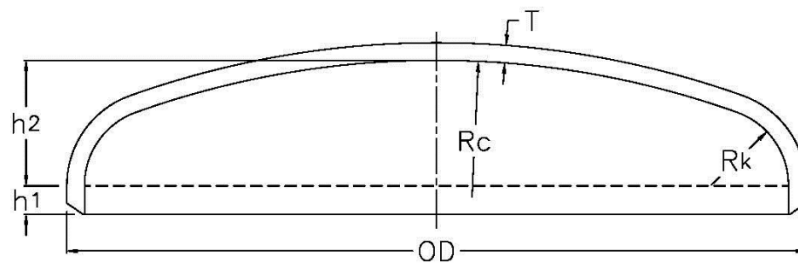




Elliptical Head



Hemispherical Head



Torispherical Head

