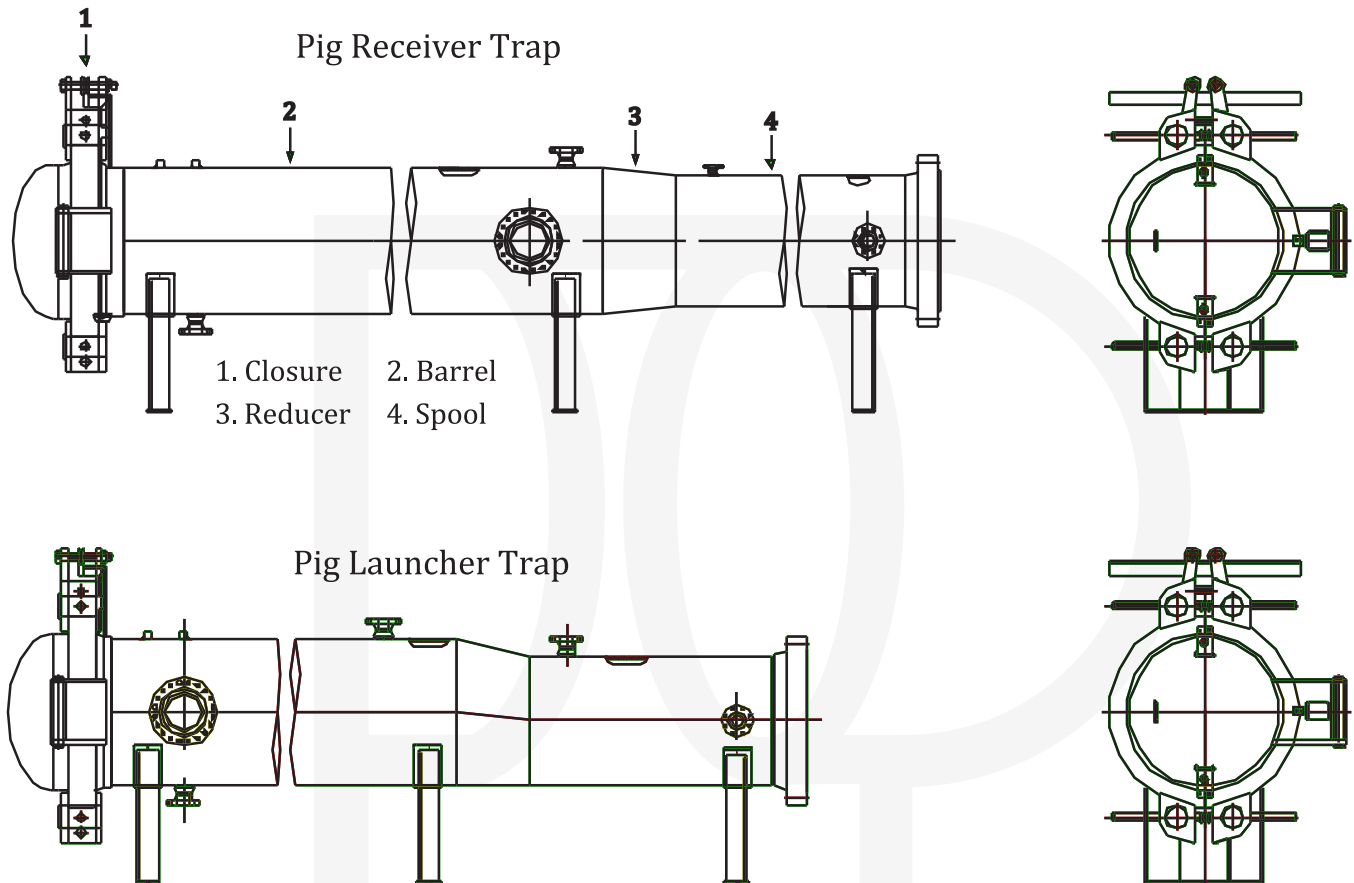


Pig/Sphere Launcher & Receiver Traps

As understood from their name, pig launcher/receiver traps are equipments used for running pigs throughout liquid and gas transmission pipelines in order to perform cleaning and inspection. The traps can also be used for liquid product transmission or displacement by utilizing devices called spheres. Launcher/receiver traps are attached to major pipeline directly and the pressure, required for pig or sphere movement, is obtained from the pipeline.

The schematic feature and general parts of the traps are illustrated in the following figures:



Based on whether they used in gas or hydrocarbon transmission pipeline, they are designed and fabricated according to below standards:

- ASME B31.4, "PIPELINE TRANSPORTATION SYSTEMS FOR LIQUID HYDROCARBONS AND OTHER LIQUIDS"
- ASME B31.8, "GAS TRANSMISSION AND DISTRIBUTION PIPING SYSTEM"
- ASME SEC. VIII DIV.1, "RULES FOR CONSTRUCTION OF PRESSURE VESSELS"

The pig traps are normally installed at compressor and pressure reducing stations and pipeline terminal points.

Range of our production: form 6 inch to 64 in

ANSI rating class: 150 up to 2500Ib

