

## Dry Gas Filter

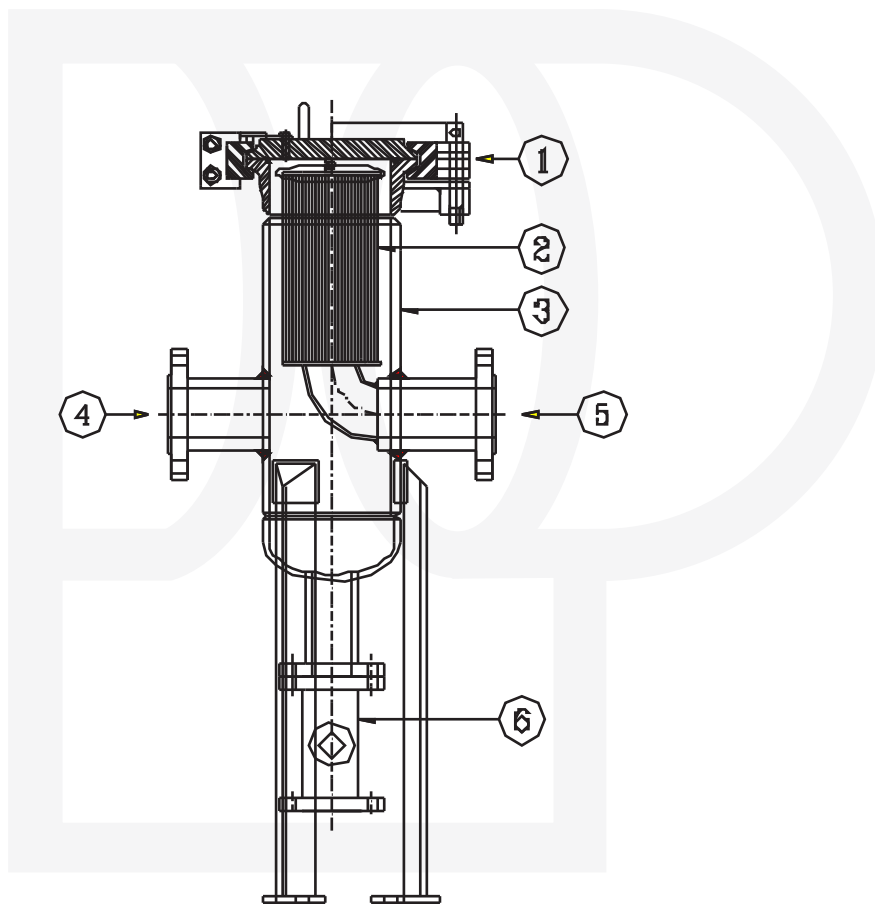
Dry gas filters, generally installed in gas pressure reducing stations, are one of the most commonly used equipments for removing and filtering of fine solid particles from natural gas before consumption. Dry gas filters basically consist of several parts as shown at the figure.

Passing through the cartridge filter element, solid particles are removed from gas flow and the clean gas stream, leaving the equipment, is now ready for domestic and industrial consumption. Due to continuous operation, which leads to cartridge pores blockage, the cartridge shall be replaced with new ones at periodic inspections.

A quick opening closure is to be set on top of the equipment to facilitate replacing of the cartridge.

Range of inlet gas flow: From 150 to 100,000 SCMH.

ANSI rating class: 600 Ib.



1. Closure
2. Cartridge Element
3. Shell
4. Gas Inlet
5. Gas Outlet
6. Drain

